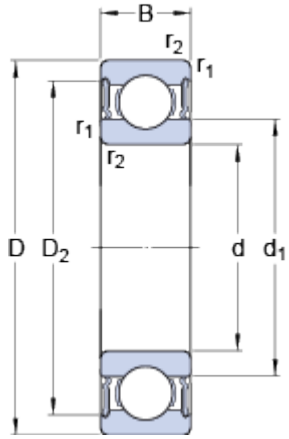


6212-2RS1

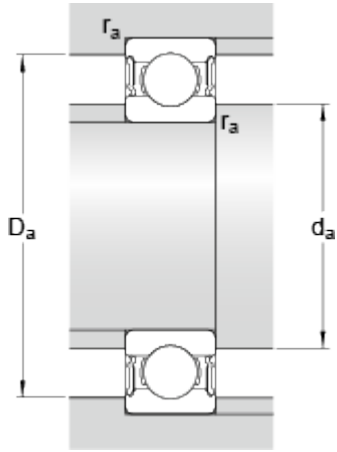
SKF Explorer

Dimensions



| | | |
|------------------|----------|----|
| d | 60 | mm |
| D | 110 | mm |
| B | 22 | mm |
| d ₁ | ≈ 75.5 | mm |
| D ₂ | ≈ 98 | mm |
| r _{1,2} | min. 1.5 | mm |

Abutment dimensions



| | | |
|----------------|-----------|----|
| d _a | min. 69 | mm |
| d _a | max. 75.4 | mm |
| D _a | max. 101 | mm |
| r _a | max. 1.5 | mm |

Calculation data

| | | | |
|---------------------------|----------------|-------|-------|
| Basic dynamic load rating | C | 55.3 | kN |
| Basic static load rating | C ₀ | 36 | kN |
| Fatigue load limit | P _u | 1.5 | kN |
| Limiting speed | | 4000 | r/min |
| Calculation factor | k _r | 0.025 | |
| Calculation factor | f ₀ | 14.3 | |

Mass

| | | |
|--------------|-------|----|
| Mass bearing | 0.816 | kg |
|--------------|-------|----|