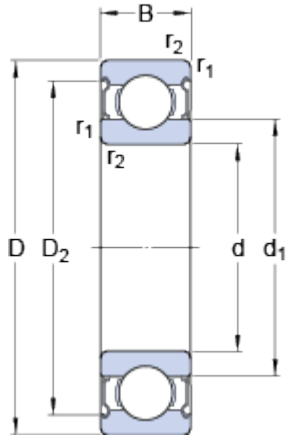


6205-2Z

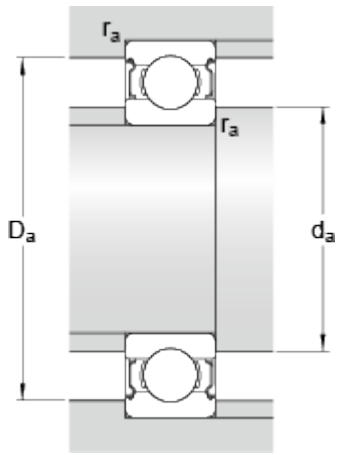
SKF Explorer

Dimensions



| | | |
|------------------|--------|----|
| d | 25 | mm |
| D | 52 | mm |
| B | 15 | mm |
| d ₁ | ≈ 34.3 | mm |
| D ₂ | ≈ 46.2 | mm |
| r _{1,2} | min. 1 | mm |

Abutment dimensions



| | | |
|----------------|-----------|----|
| d _a | min. 30.6 | mm |
| d _a | max. 34.3 | mm |
| D _a | max. 46.4 | mm |
| r _a | max. 1 | mm |

Calculation data

| | | | |
|---------------------------|----------------|-------|-------|
| Basic dynamic load rating | C | 14.8 | kN |
| Basic static load rating | C ₀ | 7.8 | kN |
| Fatigue load limit | P _u | 0.33 | kN |
| Reference speed | | 28000 | r/min |
| Limiting speed | | 14000 | r/min |
| Calculation factor | k _r | 0.025 | |
| Calculation factor | f ₀ | 14 | |

Mass

| | | | |
|--------------|--|-------|----|
| Mass bearing | | 0.132 | kg |
|--------------|--|-------|----|