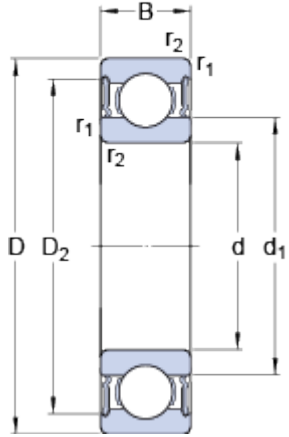


6008-2RS1

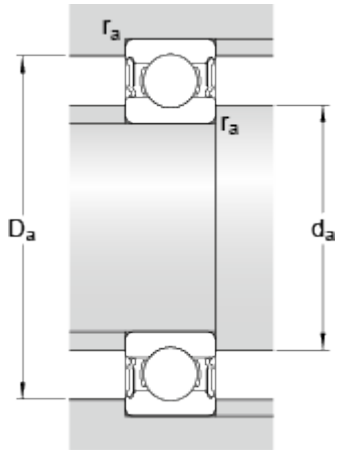
SKF Explorer

Dimensions



d	40	mm
D	68	mm
B	15	mm
d ₁	49.25	mm
D ₂	61.1	mm
r _{1,2}	min. 1	mm

Abutment dimensions



d _a	min. 44.6	mm
d _a	max. 49.2	mm
D _a	max. 63.4	mm
r _a	max. 1	mm

Calculation data

Basic dynamic load rating	C	17.8	kN
Basic static load rating	C ₀	11	kN
Fatigue load limit	P _u	0.49	kN
Limiting speed		6300	r/min
Calculation factor	k _r	0.025	
Calculation factor	f ₀	15	

Mass

Mass bearing		0.198	kg
--------------	--	-------	----