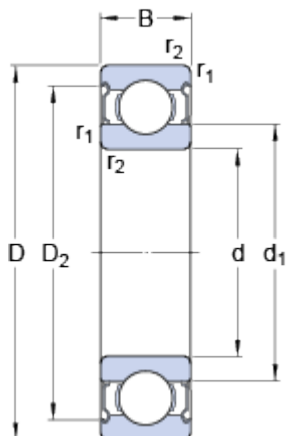


## 6309-2Z

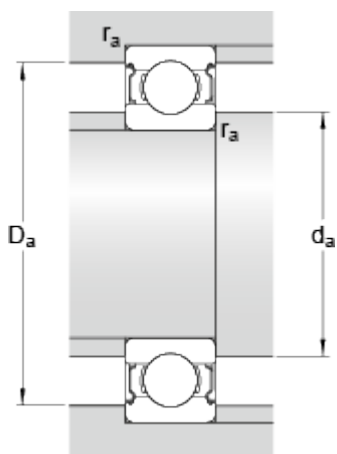
SKF Explorer

### Dimensions



d	45	mm
D	100	mm
B	25	mm
d <sub>1</sub>	≈ 62.1	mm
D <sub>2</sub>	≈ 86.7	mm
r <sub>1,2</sub>	min. 1.5	mm

### Abutment dimensions



d <sub>a</sub>	min. 54	mm
d <sub>a</sub>	max. 62.1	mm
D <sub>a</sub>	max. 91	mm
r <sub>a</sub>	max. 1.5	mm

### Calculation data

Basic dynamic load rating	C	55.3	kN
Basic static load rating	C <sub>0</sub>	31.5	kN
Fatigue load limit	P <sub>u</sub>	1.3	kN
Reference speed		15000	r/min
Limiting speed		7500	r/min
Calculation factor	k <sub>r</sub>	0.03	
Calculation factor	f <sub>0</sub>	13	

### Mass

Mass bearing	0.868	kg
--------------	-------	----