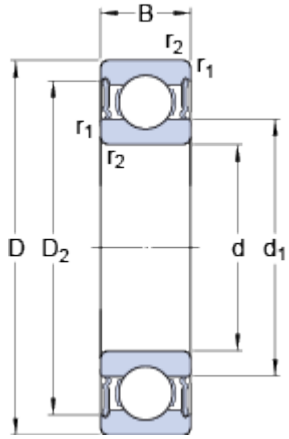


6311-2RS1

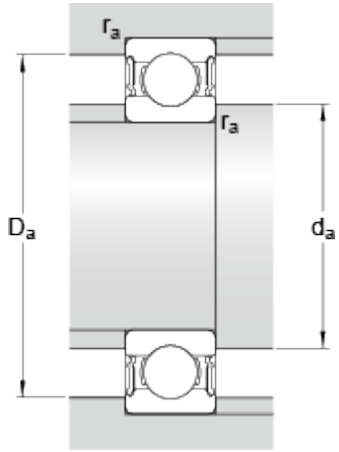
SKF Explorer

Dimensions



d	55	mm
D	120	mm
B	29	mm
d_1	≈ 75.3	mm
D_2	≈ 103.7	mm
$r_{1,2}$	min. 2	mm

Abutment dimensions



d_a	min. 66	mm
d_a	max. 75.2	mm
D_a	max. 109	mm
r_a	max. 2	mm

Calculation data

Basic dynamic load rating	C	74.1	kN
Basic static load rating	C_0	45	kN
Fatigue load limit	P_u	1.9	kN
Limiting speed		3800	r/min
Calculation factor	k_r	0.03	
Calculation factor	f_0	13.1	

Mass

Mass bearing		1.41	kg
--------------	--	------	----