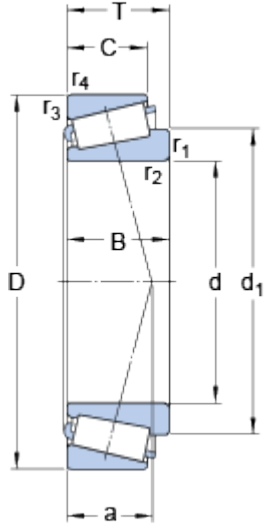


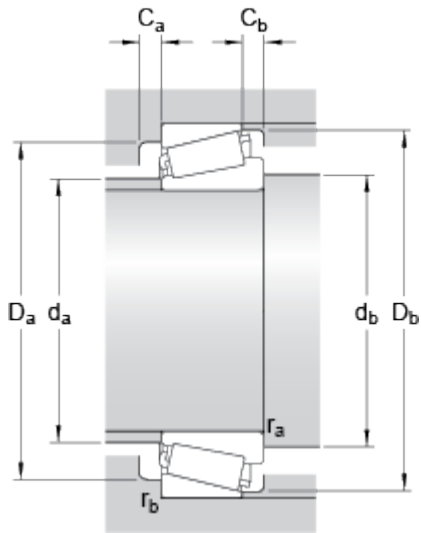
33214/Q

Dimensions



d	70	mm
D	125	mm
T	41	mm
d ₁	≈ 97.4	mm
B	41	mm
C	32	mm
r _{1,2}	min. 2	mm
r _{3,4}	min. 1.5	mm
a	30.4	mm

Abutment dimensions



d _a	max. 79	mm
d _b	min. 79	mm
D _a	min. 107	mm
D _a	max. 116	mm
D _b	min. 120	mm
C _a	min. 7	mm
C _b	min. 9	mm
r _a	max. 2	mm
r _b	max. 1.5	mm

Calculation data

Basic dynamic load rating	C	201	kN
Basic static load rating	C ₀	285	kN
Fatigue load limit	P _u	32.5	kN
Reference speed		3600	r/min
Limiting speed		5000	r/min
Calculation factor	e	0.4	
Calculation factor	Y	1.5	
Calculation factor	Y ₀	0.8	

Mass

Mass bearing

2.08

kg
