

6010-2Z

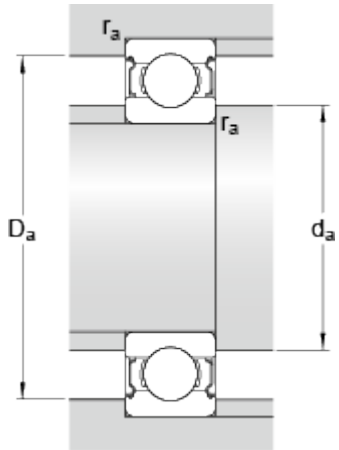
SKF Explorer

Dimensions



d	50	mm
D	80	mm
B	16	mm
d ₁	59.75	mm
D ₂	72.8	mm
r _{1,2}	min. 1	mm

Abutment dimensions



d _a	min. 54.6	mm
d _a	max. 59.7	mm
D _a	max. 75.4	mm
r _a	max. 1	mm

Calculation data

Basic dynamic load rating	C	22.9	kN
Basic static load rating	C ₀	15.6	kN
Fatigue load limit	P _u	0.71	kN
Reference speed		18000	r/min
Limiting speed		9000	r/min
Calculation factor	k _r	0.025	
Calculation factor	f ₀	14.7	

Mass

Mass bearing		0.272	kg
--------------	--	-------	----

