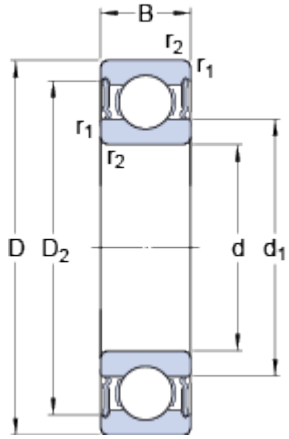


6307-2RS1

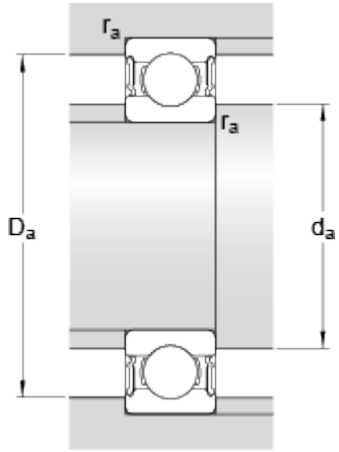
SKF Explorer

Dimensions



d	35	mm
D	80	mm
B	21	mm
d_1	≈ 49.5	mm
D_2	≈ 69.2	mm
$r_{1,2}$	min. 1.5	mm

Abutment dimensions



d_a	min. 44	mm
d_a	max. 49.5	mm
D_a	max. 71	mm
r_a	max. 1.5	mm

Calculation data

Basic dynamic load rating	C	35.1	kN
Basic static load rating	C_0	19	kN
Fatigue load limit	P_u	0.81	kN
Limiting speed		6000	r/min
Calculation factor	k_r	0.03	
Calculation factor	f_0	13.1	

Mass

Mass bearing		0.471	kg
--------------	--	-------	----