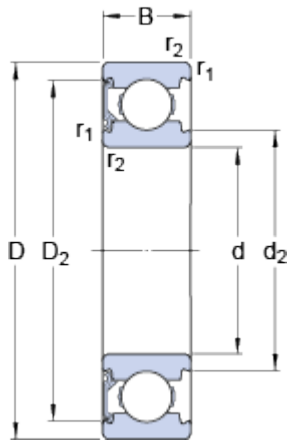


6302-RSH

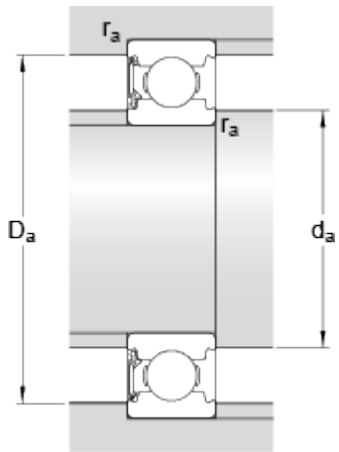
SKF Explorer

Dimensions



d	15	mm
D	42	mm
B	13	mm
d ₂	≈ 20.6	mm
D ₂	≈ 36.2	mm
r _{1,2}	min. 1	mm

Abutment dimensions



d _a	min. 22.6	mm
d _a	max. 23.5	mm
D _a	max. 41.4	mm
r _a	max. 1	mm

Calculation data

Basic dynamic load rating	C	11.9	kN
Basic static load rating	C ₀	5.4	kN
Fatigue load limit	P _u	0.22	kN
Limiting speed		12000	r/min
Calculation factor	k _r	0.03	
Calculation factor	f ₀	12	

Mass

Mass bearing		0.082	kg
--------------	--	-------	----