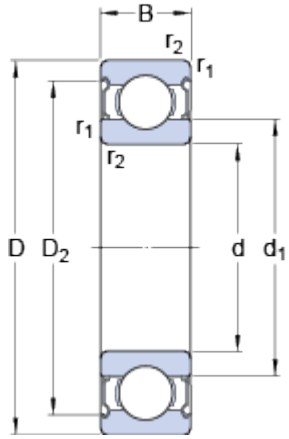


# 6211-2Z

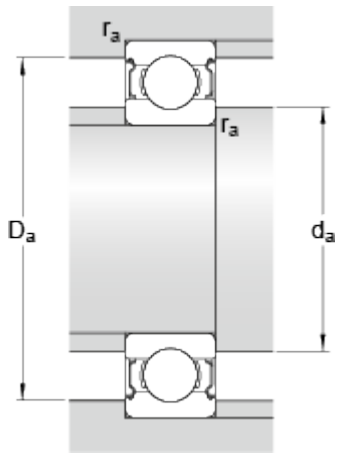
SKF Explorer

## Dimensions



d	55	mm
D	100	mm
B	21	mm
d <sub>1</sub>	≈ 69	mm
D <sub>2</sub>	≈ 89.4	mm
r <sub>1,2</sub>	min. 1.5	mm

## Abutment dimensions



d <sub>a</sub>	min. 64	mm
d <sub>a</sub>	max. 69	mm
D <sub>a</sub>	max. 91	mm
r <sub>a</sub>	max. 1.5	mm

## Calculation data

Basic dynamic load rating	C	46.2	kN
Basic static load rating	C <sub>0</sub>	29	kN
Fatigue load limit	P <sub>u</sub>	1.2	kN
Reference speed		14000	r/min
Limiting speed		7000	r/min
Calculation factor	k <sub>r</sub>	0.025	
Calculation factor	f <sub>0</sub>	14.3	

## Mass

Mass bearing		0.639	kg
--------------	--	-------	----