

# 6006-2RS1

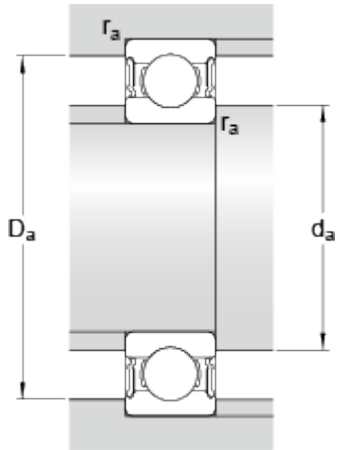
SKF Explorer

## Dimensions



d	30	mm
D	55	mm
B	13	mm
d <sub>1</sub>	38.2	mm
D <sub>2</sub>	49	mm
r <sub>1,2</sub>	min. 1	mm

## Abutment dimensions



d <sub>a</sub>	min. 34.6	mm
d <sub>a</sub>	max. 38.1	mm
D <sub>a</sub>	max. 50.4	mm
r <sub>a</sub>	max. 1	mm

## Calculation data

Basic dynamic load rating	C	13.8	kN
Basic static load rating	C <sub>0</sub>	8.3	kN
Fatigue load limit	P <sub>u</sub>	0.355	kN
Limiting speed		8000	r/min
Calculation factor	k <sub>r</sub>	0.025	
Calculation factor	f <sub>0</sub>	15	

## Mass

Mass bearing		0.121	kg
--------------	--	-------	----