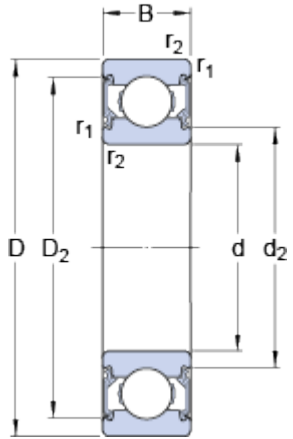


# 6304-2RSH

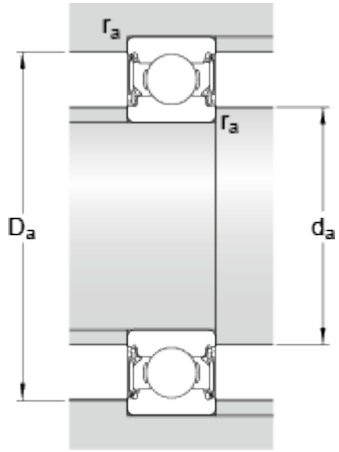
SKF Explorer

## Dimensions



$d$	20	mm
$D$	52	mm
$B$	15	mm
$d_2$	≈ 26.9	mm
$D_2$	≈ 44.7	mm
$r_{1,2}$	min. 1.1	mm

## Abutment dimensions



$d_a$	min. 27	mm
$d_a$	max. 27	mm
$D_a$	max. 45	mm
$r_a$	max. 1	mm

## Calculation data

Basic dynamic load rating	$C$	16.8	kN
Basic static load rating	$C_0$	7.8	kN
Fatigue load limit	$P_u$	0.33	kN
Limiting speed		9500	r/min
Calculation factor	$k_r$	0.03	
Calculation factor	$f_0$	12	

## Mass

Mass bearing	0.151	kg
--------------	-------	----