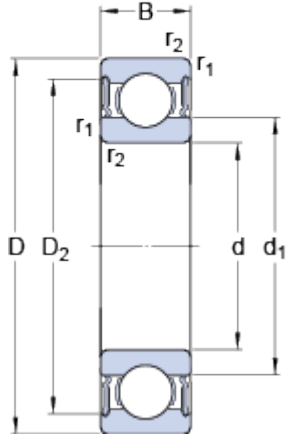


# 6007-2RS1

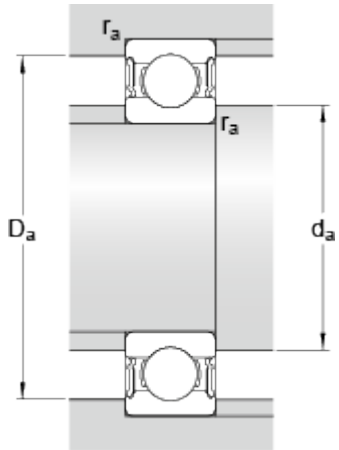
SKF Explorer

## Dimensions



d	35	mm
D	62	mm
B	14	mm
d <sub>1</sub>	43.75	mm
D <sub>2</sub>	55.61	mm
r <sub>1,2</sub>	min. 1	mm

## Abutment dimensions



d <sub>a</sub>	min. 39.6	mm
d <sub>a</sub>	max. 43.7	mm
D <sub>a</sub>	max. 57.4	mm
r <sub>a</sub>	max. 1	mm

## Calculation data

Basic dynamic load rating	C	16.8	kN
Basic static load rating	C <sub>0</sub>	10.2	kN
Fatigue load limit	P <sub>u</sub>	0.44	kN
Limiting speed		7000	r/min
Calculation factor	k <sub>r</sub>	0.025	
Calculation factor	f <sub>0</sub>	14.8	

## Mass

Mass bearing		0.158	kg
--------------	--	-------	----