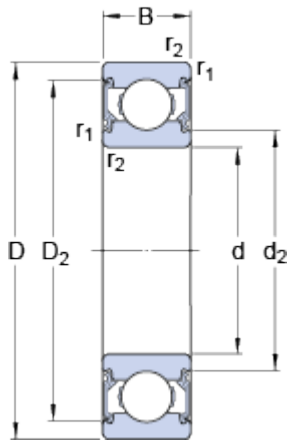


# 609-2RSH

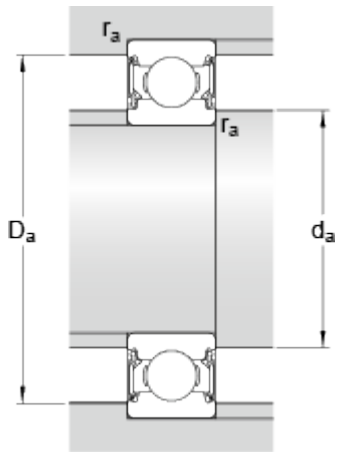
SKF Explorer

## Dimensions



d	9	mm
D	24	mm
B	7	mm
d <sub>2</sub>	≈ 12.8	mm
D <sub>2</sub>	≈ 21.2	mm
r <sub>1,2</sub>	min. 0.3	mm

## Abutment dimensions



d <sub>a</sub>	min. 11	mm
d <sub>a</sub>	max. 12.5	mm
D <sub>a</sub>	max. 22	mm
r <sub>a</sub>	max. 0.3	mm

## Calculation data

Basic dynamic load rating	C	3.9	kN
Basic static load rating	C <sub>0</sub>	1.6	kN
Fatigue load limit	P <sub>u</sub>	0.07	kN
Limiting speed		19000	r/min
Calculation factor	k <sub>r</sub>	0.025	
Calculation factor	f <sub>0</sub>	13	

## Mass

Mass bearing		0.0146	kg
--------------	--	--------	----