

Technical data

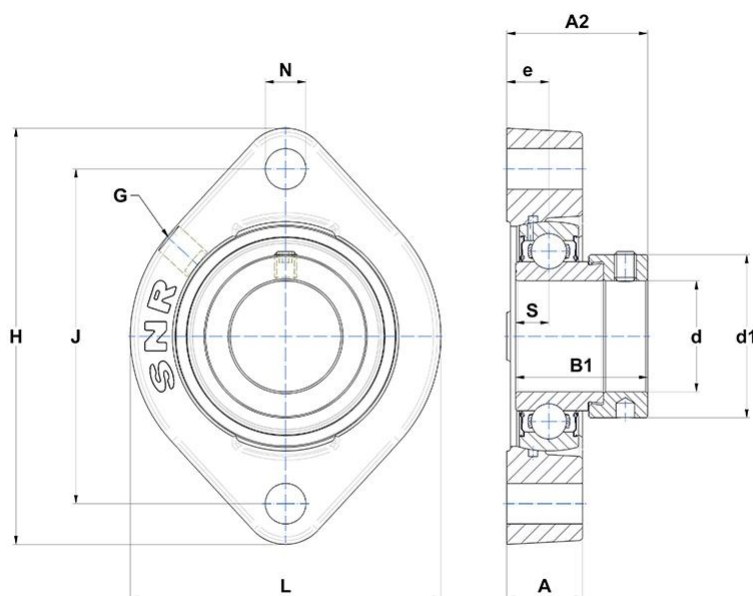
ESFD205
Bearing units

Grey cast housing, radial insert ball bearing with eccentric locking collar, single lip seal

KIT CONTENT

ES205G2, FD205

VISUAL (S)



PRODUCT DEFINITION

A - Housing height	17,5 mm
A2 - Total height from mounting surface	33,3 mm
B - Width of Inner Ring	21,4 mm
B1 - Overall width IR (with eccent. locking collar/adapt. sleeve)	30,9 mm
d - Shaft diameter	25 mm
d1 - Outer dia of eccent. Lock. collar / nut of adapter sleeve	37,4 mm

PRODUCT DEFINITION

e - Distance mounting surface to bearing center	9,9 mm
G - Grease fitting	M6x1
H - Housing length, width or diameter	97 mm
J - Mounting holes distance	76,2 mm
L - Housing width / diameter	71 mm
N - Mounting hole dimension	9 mm
S - Dist. cent. of raceway to face IR on side opp. lock. device	7,5 mm
Brand	SNR

PRODUCT PERFORMANCE

C - Dynamic load rating	14 kN
C0 - Static load rating	7,88 kN
Operating temperature min.	-20 °C
Operating temperature max.	100 °C

OTHER FEATURES

Mass	0,49 kg
Recommended tightening torque for set screw	5.5 N-m